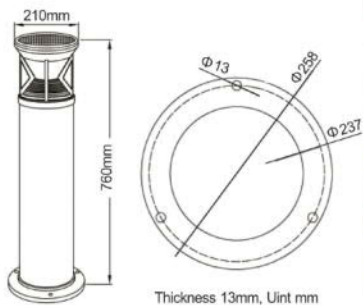


Solar Bollard Light

ORBIX 

1.8W

Watts



PARAMETERS

ITEM NO

BLS-7406

Solar Panel	9V/3.5W Monocrystalline Solar Panel, Grade A
LED	1.8W, 10*18mil Epistar Chip
Lifespan of LED	More than 50,000 hours
Luminous Flux	235lm~255lm
Color Temperature	3500~7500K
Beam Angle	120°
Battery	6.4V/4.5AH GEL/Lithium battery
Discharging Time	23h(100% Power)
Charging Time	8h(AM 1.5, 1000W/m ² , 25°C)
Material	6063 Aluminum, PC
Working Temperature	-25°C~60°C
Protection Grade	Ip65
Product Size	Φ210*760*Φ190*Φ258mm
Package Size	800*310*310mm
Number of Packing	1 set/carton
Net Weight	4.9KG
Gross Weight	6.2KG



IP 65

