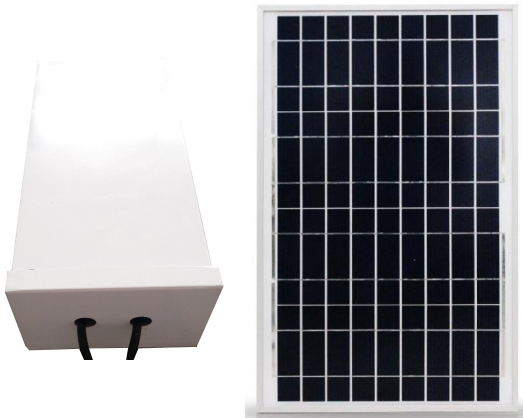


## SOLAR STREET LIGHT ELIGHT SERIES

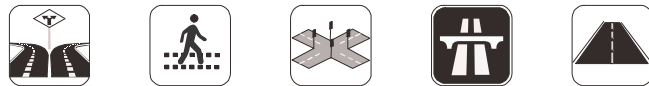
### Solar Street light Elight Series(BXT4-E)



Elight Series solar street light is state of the art design with low light decay, high color rendering index PHILIPS LED chip (70000hours lifespan) source light and high quality low weight aluminum alloy housing fill in a high brightness and long lifespan street light. Its popular design makes a perfect solution for multiple street lighting applications with minimum revamping cost



#### Applications:



### PRODUCT FEATURES

- State of the art design. compact in structure and nice in appearance.
- High color rendering index SMD LED chips source light with high-quality.
- High quality 3 years warranty LiFePO4 battery with 5-8 years lifespan.
- High efficiency mono-crystalline silicon solar panels.
- IP65 for waterproof.
- No mercury and lead. No UV. No infrared. No radiation. No flickering, helpful to protect the eyes.
- Back up 3-5 days backup in save mode



## SOLAR STREET LIGHT ELIGHT SERIES

### TECHNICAL DATA

#### Electrical characteristics:

Model No	Solar Panel Voltage	Solar Panel Power	Battery Voltage	Battery Capacity	Charging Time	Working Time	Backup Time
BXT4-E-30W	DC18V	45W	12V	20AHrs	6-8h	12h	24h
BXT4-E-40W	DC18V	55W	12V	26AHrs	6-8h	12h	24h
BXT4-E-50W	DC18V	70W	12V	34AHrs	6-8h	12h	24h
BXT4-E-60W	DC16V	80W	12V	40AHrs	6-8h	12h	24h
BXT4-E-80W	DC18V	110W	12V	56AHrs	6-8h	12h	24h
BXT4-E-100W	DC36V	130W	24V	34AHrs	6-8h	12h	24h

### TECHNICAL DATA

#### Optical Characteristics:

Model No	Color Temp (CCT)	Lumens	Lumens/Watt	CRI	Beam Angle
BXT4-E-30W-CW	6000K	4500lm	150	70	145*75
BXT4-E-30W-NW	4000K	4200lm	140	70	145*75
BXT4-E-40W-CW	6000K	6000lm	150	70	145*75
BXT4-E-40W-NW	4000K	5600lm	140	70	145*75
BXT4-E-50W-CW	6000K	7500lm	150	70	145*75
BXT4-E-50W-NW	4000K	7000lm	140	70	145*75
BXT4-E-60W-CW	6000K	9000lm	150	70	145*75
BXT4-E-60W-NW	4000K	8400lm	140	70	145*75
BXT4-E-80W-CW	6000K	12000lm	150	70	145*75
BXT4-E-80W-NW	4000K	11200lm	140	70	145*75
BXT4-E-100W-CW	6000K	15000lm	150	70	145*75
BXT4-E-100W-NW	4000K	14000lm	140	70	145*75

Note 1: Absolute ratings @ 25°C.

Note 2: Tolerance of measurement of luminous intensity±15%.

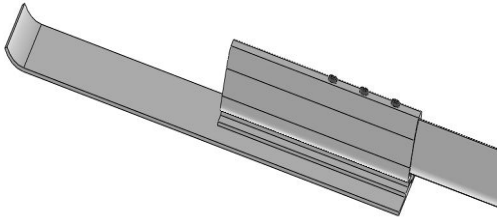
Note 3: 60W 80W 100W for residential street, 1,2 line road, and Pedestrian walk pad.

Note 4: Operating temp-25~+60, Storage temp -30~+75 , Relative humidity 10-95%, Atmosphere Pressure 70-106KPa.

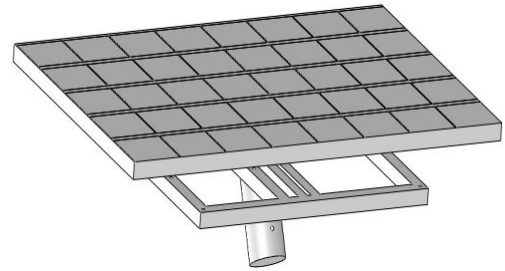
## SOLAR STREET LIGHT ELIGHT SERIES

### PRODUCT INSTALLATION:

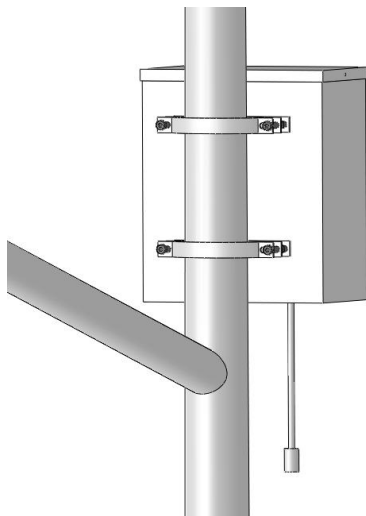
---



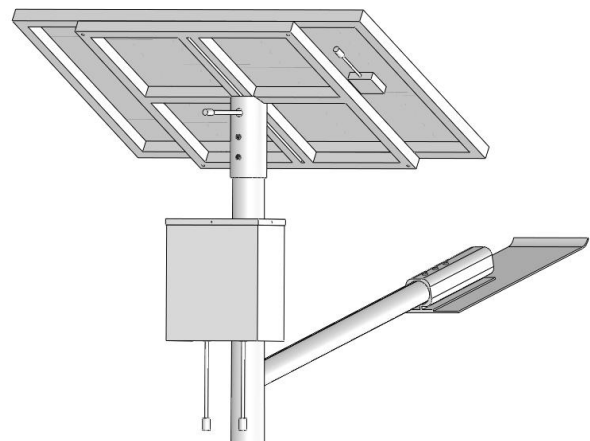
Connect brown cable of Lamp with cable from Pole, then Screw fixed lamp to the pole arm.



Screw fixed solar panel to the support. Accessories:  
Screws: 4pcs Nuts: 4pcs  
Gaskets: 4pcs Spring shim: 4pcs



Screw fixed battery box to the pole. Accessories:  
Screws: 4pcs Nuts: 4pcs Gaskets:  
4pcs Spring shim: 4pcs Hoops: 2pcs



Screw fixed solar panel support to the poles, then connect lamp cable and solar panel cable with relative cable from battery box. Accessories: Screws: 4pcs