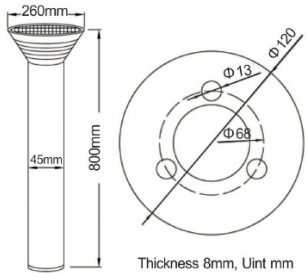


# Solar Bollard Light

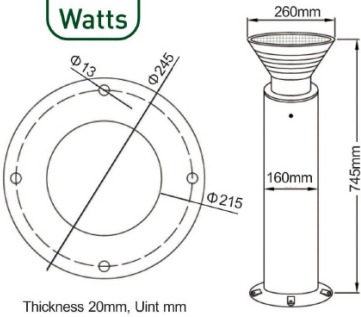
3.5 Watts



## PARAMETERS

ITEM NO	BLS-7401A
<b>Solar Panel</b>	9V/5.5W Monocrystalline Solar Panel. Grade A
<b>LED</b>	3.5W, 10*18mil Epistar Chip
<b>Lifespan of LED</b>	More than 50,000 hours
<b>Luminous Flux</b>	385lm~435lm
<b>Color Temperature</b>	3500~7500K
<b>Beam Angle</b>	120°
<b>Battery</b>	6.4V/4.5AH GEL/Lithium battery
<b>Discharging Time</b>	23h(100% Power)
<b>Charging Time</b>	6h(AM 1.5, 1000W/m <sup>2</sup> ,25°C)
<b>Material</b>	6063 Aluminum, PC
<b>Working Temperature</b>	-25°C~60°C
<b>Protection Grade</b>	Ip65
<b>Product Size</b>	Φ260*800*Φ120mm
<b>Package Size</b>	840*310*310mm
<b>Number of Packing</b>	1 set/carton
<b>Net Weight</b>	3.4KG
<b>Gross Weight</b>	4.7KG

3.5 Watts



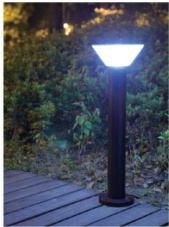
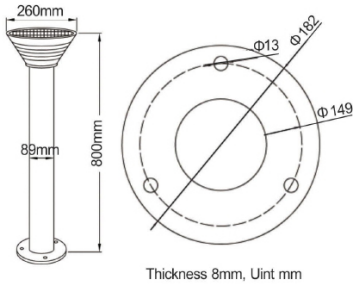
## PARAMETERS

ITEM NO	BLS-7401B
<b>Solar Panel</b>	9V/5.5W Monocrystalline Solar Panel. Grade A
<b>LED</b>	3.5W, 10*18mil Epistar Chip
<b>Lifespan of LED</b>	More than 50,000 hours
<b>Luminous Flux</b>	385lm~435lm
<b>Color Temperature</b>	3500~7500K
<b>Beam Angle</b>	120°
<b>Battery</b>	6.4V/4.5AH GEL/Lithium battery
<b>Discharging Time</b>	23h(100% Power)
<b>Charging Time</b>	6h(AM 1.5, 1000W/m <sup>2</sup> ,25°C)
<b>Material</b>	6063 Aluminum, PC
<b>Working Temperature</b>	-25°C~60°C
<b>Protection Grade</b>	Ip65
<b>Product Size</b>	Φ260*745*Φ160*Φ245mm
<b>Package Size</b>	800*310*310mm
<b>Number of Packing</b>	1 set/carton
<b>Net Weight</b>	4.6KG
<b>Gross Weight</b>	5.9KG

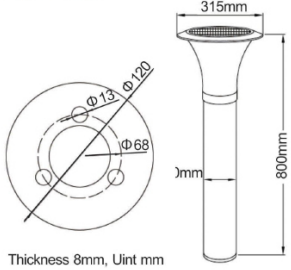


# Solar Bollard Light

**3.5**  
Watts



**3.5**  
Watts



## PARAMETERS

ITEM NO	BLS-7402
---------	----------

<b>Solar Panel</b>	9V/5.5W Monocrystalline Solar Panel. Grade A
<b>LED</b>	3.5W, 10*18mil Epistar Chip
<b>Lifespan of LED</b>	More than 50,000 hours
<b>Luminous Flux</b>	385lm~435lm
<b>Color Temperature</b>	3500~7500K
<b>Beam Angle</b>	120°
<b>Battery</b>	6.4V/4.5AH GEL/Lithium battery
<b>Discharging Time</b>	23h(100% Power)
<b>Charging Time</b>	6h(AM 1.5, 1000W/m <sup>2</sup> ,25°C)
<b>Material</b>	6063 Aluminum, PC
<b>Working Temperature</b>	-25°C~60°C
<b>Protection Grade</b>	Ip65
<b>Product Size</b>	Φ260*800*Φ89*Φ182mm
<b>Package Size</b>	840*310*310mm
<b>Number of Packing</b>	1 set/carton
<b>Net Weight</b>	3.3KG
<b>Gross Weight</b>	4.6KG

## PARAMETERS

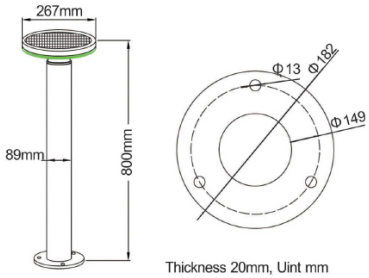
ITEM NO	BLS-7403
---------	----------

<b>Solar Panel</b>	9V/5.5W Monocrystalline Solar Panel. Grade A
<b>LED</b>	3.5W, 10*18mil Epistar Chip
<b>Lifespan of LED</b>	More than 50,000 hours
<b>Luminous Flux</b>	385lm~435lm
<b>Color Temperature</b>	3500~7500K
<b>Beam Angle</b>	120°
<b>Battery</b>	6.4V/4.5AH GEL/Lithium battery
<b>Discharging Time</b>	23h(100% Power)
<b>Charging Time</b>	6h(AM 1.5, 1000W/m <sup>2</sup> ,25°C)
<b>Material</b>	6063 Aluminum, PC
<b>Working Temperature</b>	-25°C~60°C
<b>Protection Grade</b>	Ip65
<b>Product Size</b>	Φ315*800*Φ120mm
<b>Package Size</b>	840*350*380mm
<b>Number of Packing</b>	1 set/carton
<b>Net Weight</b>	4.5KG
<b>Gross Weight</b>	6.0KG

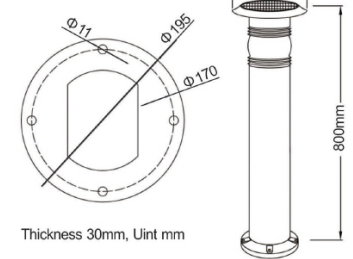


# Solar Bollard Light

**3.5W**  
Watts



**1.8W**  
Double



## PARAMETERS

ITEM NO	BLS-7404
<b>Solar Panel</b>	9V/5.5W Monocrystalline Solar Panel. Grade A
<b>LED</b>	3.5W, 10*18mil Epistar Chip
<b>Lifespan of LED</b>	More than 50,000 hours
<b>Luminous Flux</b>	385lm~435lm
<b>Color Temperature</b>	3500~7500K
<b>Beam Angle</b>	120°
<b>Battery</b>	6.4V/4.5AH GEL/Lithium battery
<b>Discharging Time</b>	23h(100% Power)
<b>Charging Time</b>	6h(AM 1.5, 1000W/m <sup>2</sup> ,25°C)
<b>Material</b>	6063 Aluminum, PC
<b>Working Temperature</b>	-25°C~60°C
<b>Protection Grade</b>	Ip65
<b>Product Size</b>	Φ267*800*Φ89*Φ182mm
<b>Package Size</b>	850*310*310mm
<b>Number of Packing</b>	1 set/carton
<b>Net Weight</b>	5.3KG
<b>Gross Weight</b>	6.7KG

## PARAMETERS

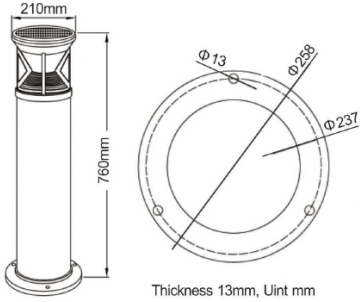
ITEM NO	BLS-7405
<b>Solar Panel</b>	9V/3.5W Monocrystalline Solar Panel. Grade A
<b>LED</b>	1.8W, 10*18mil Epistar Chip
<b>Lifespan of LED</b>	More than 50,000 hours
<b>Luminous Flux</b>	235lm~255lm
<b>Color Temperature</b>	3500~7500K
<b>Beam Angle</b>	120°
<b>Battery</b>	6.4V/4.5AH GEL/Lithium battery
<b>Discharging Time</b>	23h(100% Power)
<b>Charging Time</b>	6h(AM 1.5, 1000W/m <sup>2</sup> ,25°C)
<b>Material</b>	6063 Aluminum, PC
<b>Working Temperature</b>	-25°C~60°C
<b>Protection Grade</b>	Ip65
<b>Product Size</b>	Φ255*800*Φ140*Φ195mm
<b>Package Size</b>	840*310*310mm
<b>Number of Packing</b>	1 set/carton
<b>Net Weight</b>	4.7KG
<b>Gross Weight</b>	6.0KG



# Solar Bollard Light



1.8W  
Watts



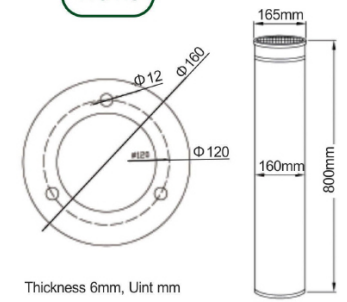
## PARAMETERS

### ITEM NO

BLS-7406

<b>Solar Panel</b>	9V/3.5W Monocrystalline Solar Panel. Grade A
<b>LED</b>	1.8W, 10*18mil Epistar Chip
<b>Lifespan of LED</b>	More than 50,000 hours
<b>Luminous Flux</b>	235lm~255lm
<b>Color Temperature</b>	3500~7500K
<b>Beam Angle</b>	120°
<b>Battery</b>	6.4V/4.5AH GEL/Lithium battery
<b>Discharging Time</b>	23h(100% Power)
<b>Charging Time</b>	8h(AM 1.5, 1000W/m <sup>2</sup> ,25°C)
<b>Material</b>	6063 Aluminum, PC
<b>Working Temperature</b>	-25°C~60°C
<b>Protection Grade</b>	Ip65
<b>Product Size</b>	Φ210*760*Φ190*Φ258mm
<b>Package Size</b>	800*310*310mm
<b>Number of Packing</b>	1 set/carton
<b>Net Weight</b>	4.9KG
<b>Gross Weight</b>	6.2KG

1.8W  
Watts



## PARAMETERS

### ITEM NO

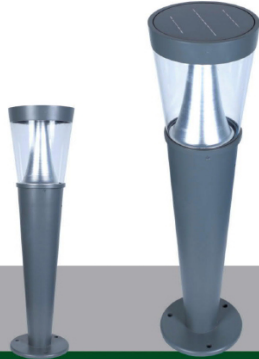
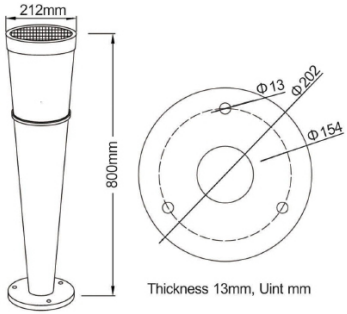
BLS-7407

<b>Solar Panel</b>	9V/3.5W Monocrystalline Solar Panel. Grade A
<b>LED</b>	1.8W, 10*18mil Epistar Chip
<b>Lifespan of LED</b>	More than 50,000 hours
<b>Luminous Flux</b>	235lm~255lm
<b>Color Temperature</b>	3500~7500K
<b>Beam Angle</b>	120°
<b>Battery</b>	6.4V/4.5AH GEL/Lithium battery
<b>Discharging Time</b>	23h(100% Power)
<b>Charging Time</b>	8h(AM 1.5, 1000W/m <sup>2</sup> ,25°C)
<b>Material</b>	6063 Aluminum, PC
<b>Working Temperature</b>	-25°C~60°C
<b>Protection Grade</b>	Ip65
<b>Product Size</b>	Φ165*800*Φ160mm
<b>Package Size</b>	840*210*210mm
<b>Number of Packing</b>	1 set/carton
<b>Net Weight</b>	5.0KG
<b>Gross Weight</b>	5.9KG



# Solar Bollard Light

1.8W  
Watts



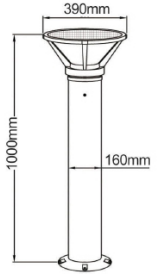
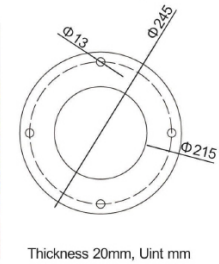
## PARAMETERS

### ITEM NO

BLS-7408

<b>Solar Panel</b>	9V/3.5W Monocrystalline Solar Panel. Grade A
<b>LED</b>	1.8W, 10*18mil Epistar Chip
<b>Lifespan of LED</b>	More than 50,000 hours
<b>Luminous Flux</b>	235lm~255lm
<b>Color Temperature</b>	3500~7500K
<b>Beam Angle</b>	120°
<b>Battery</b>	6.4V/4.5AH GEL/Lithium battery
<b>Discharging Time</b>	23h(100% Power)
<b>Charging Time</b>	8h(AM 1.5, 1000W/m <sup>2</sup> ,25°C)
<b>Material</b>	6063 Aluminum, PC
<b>Working Temperature</b>	-25°C~60°C
<b>Protection Grade</b>	Ip65
<b>Product Size</b>	Φ212*800*Φ202mm
<b>Package Size</b>	860*280*280mm
<b>Number of Packing</b>	1 set/carton
<b>Net Weight</b>	5.1KG
<b>Gross Weight</b>	6.3KG

4  
Watts



## PARAMETERS

### ITEM NO

BLS-7409

<b>Solar Panel</b>	9V/7W Monocrystalline Solar Panel. Grade A
<b>LED</b>	4W, 10*18mil Epistar Chip
<b>Lifespan of LED</b>	More than 50,000 hours
<b>Luminous Flux</b>	440lm~500lm
<b>Color Temperature</b>	3500~7500K
<b>Beam Angle</b>	120°
<b>Battery</b>	6.4V/4.5AH GEL/Lithium battery
<b>Discharging Time</b>	23h(100% Power)
<b>Charging Time</b>	4h(AM 1.5, 1000W/m <sup>2</sup> ,25°C)
<b>Material</b>	6063 Aluminum, PC
<b>Working Temperature</b>	-25°C~60°C
<b>Protection Grade</b>	Ip65
<b>Product Size</b>	Φ390*1000*Φ160*Φ245mm
<b>Package Size</b>	1045*440*440mm
<b>Number of Packing</b>	1 set/carton
<b>Net Weight</b>	7.2KG
<b>Gross Weight</b>	9.6KG



IP 65



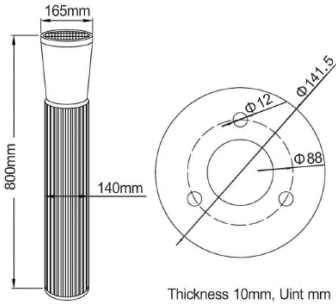
IP 65



## Solar Bollard Light

1.8W  
Watts

ORBIX



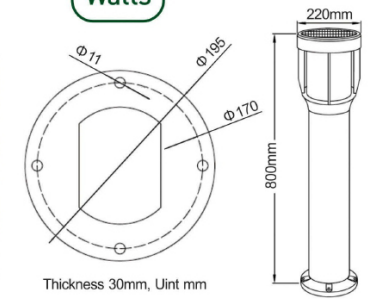
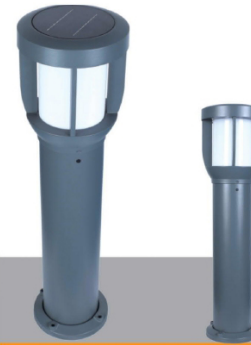
### PARAMETERS

#### ITEM NO

BLS-7410

<b>Solar Panel</b>	9V/3.5W Monocrystalline Solar Panel. Grade A
<b>LED</b>	1.8W, 10*18mil Epistar Chip
<b>Lifespan of LED</b>	More than 50,000 hours
<b>Luminous Flux</b>	235lm~255lm
<b>Color Temperature</b>	3500~7500K
<b>Beam Angle</b>	120°
<b>Battery</b>	6.4V/4.5AH GEL/Lithium battery
<b>Discharging Time</b>	23h(100% Power)
<b>Charging Time</b>	8h(AM 1.5, 1000W/m <sup>2</sup> ,25°C)
<b>Material</b>	6063 Aluminum, PC
<b>Working Temperature</b>	-25°C~60°C
<b>Protection Grade</b>	Ip65
<b>Product Size</b>	Φ165*800*Φ140mm
<b>Package Size</b>	840*210*210mm
<b>Number of Packing</b>	1 set/carton
<b>Net Weight</b>	3.9KG
<b>Gross Weight</b>	4.8KG

1.8W  
Watts



### PARAMETERS

#### ITEM NO

BLS-7411

<b>Solar Panel</b>	9V/3.5W Monocrystalline Solar Panel. Grade A
<b>LED</b>	1.8W, 10*18mil Epistar Chip
<b>Lifespan of LED</b>	More than 50,000 hours
<b>Luminous Flux</b>	235lm~255lm
<b>Color Temperature</b>	3500~7500K
<b>Beam Angle</b>	120°
<b>Battery</b>	6.4V/4.5AH GEL/Lithium battery
<b>Discharging Time</b>	23h(100% Power)
<b>Charging Time</b>	8h(AM 1.5, 1000W/m <sup>2</sup> ,25°C)
<b>Material</b>	6063 Aluminum, PC
<b>Working Temperature</b>	-25°C~60°C
<b>Protection Grade</b>	Ip65
<b>Product Size</b>	Φ220*800*Φ140*Φ195mm
<b>Package Size</b>	860*280*280mm
<b>Number of Packing</b>	1 set/carton
<b>Net Weight</b>	5.1KG
<b>Gross Weight</b>	6.3KG



IP 65



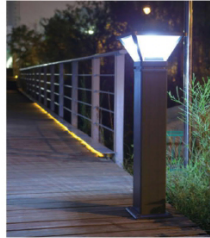
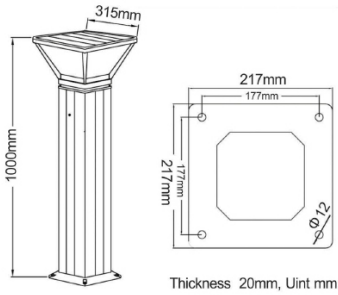
IP 65



## Solar Bollard Light

4  
Watts

ORBIX



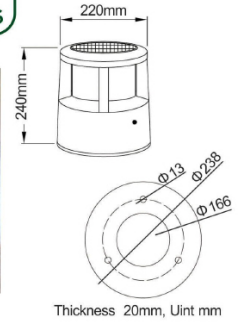
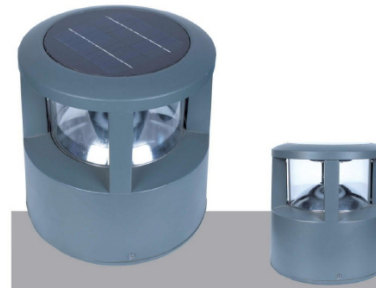
### PARAMETERS

#### ITEM NO

BLS-7412

<b>Solar Panel</b>	9V/7W Monocrystalline Solar Panel. Grade A
<b>LED</b>	4W, 10*18mil Epistar Chip
<b>Lifespan of LED</b>	More than 50,000 hours
<b>Luminous Flux</b>	440lm~500lm
<b>Color Temperature</b>	3500~7500K
<b>Beam Angle</b>	120°
<b>Battery</b>	6.4V/4.5AH GEL/Lithium battery
<b>Discharging Time</b>	23h(100% Power)
<b>Charging Time</b>	4h(AM 1.5, 1000W/m <sup>2</sup> , 25°C)
<b>Material</b>	6063 Aluminum, PC
<b>Working Temperature</b>	-25°C~60°C
<b>Protection Grade</b>	Ip65
<b>Product Size</b>	315*1000*217mm
<b>Package Size</b>	1045*365*365mm
<b>Number of Packing</b>	1 set/carton
<b>Net Weight</b>	7.1KG
<b>Gross Weight</b>	9.1KG

1.8  
Watts



### PARAMETERS

#### ITEM NO

BLS-7413

<b>Solar Panel</b>	9V/3.5W Monocrystalline Solar Panel. Grade A
<b>LED</b>	1.8W, 10*18mil Epistar Chip
<b>Lifespan of LED</b>	More than 50,000 hours
<b>Luminous Flux</b>	235lm~255lm
<b>Color Temperature</b>	3500~7500K
<b>Beam Angle</b>	120°
<b>Battery</b>	6.4V/4.5AH GEL/Lithium battery
<b>Discharging Time</b>	23h(100% Power)
<b>Charging Time</b>	8h(AM 1.5, 1000W/m <sup>2</sup> , 25°C)
<b>Material</b>	6063 Aluminum, PC
<b>Working Temperature</b>	-25°C~60°C
<b>Protection Grade</b>	Ip65
<b>Product Size</b>	∅220*240*∅240mm
<b>Package Size</b>	295*295*310mm
<b>Number of Packing</b>	1 set/carton
<b>Net Weight</b>	3.9KG
<b>Gross Weight</b>	4.6KG

3  
YEAR  
WARRANTY

IP 65 CE

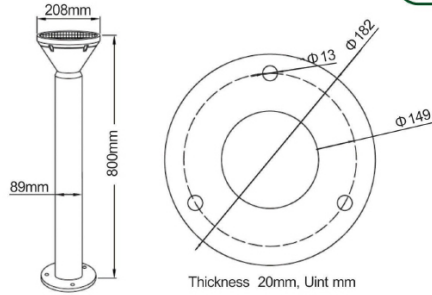
3  
YEAR  
WARRANTY

IP 65 CE

## Solar Bollard Light

1.8W  
Watts

ORBIX



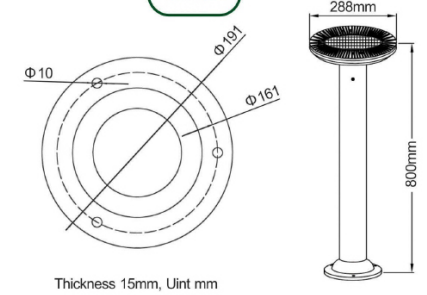
### PARAMETERS

#### ITEM NO

BLS-7419

<b>Solar Panel</b>	9V/3.5W Monocrystalline Solar Panel. Grade A
<b>LED</b>	1.8W, 10*18mil Epistar Chip
<b>Lifespan of LED</b>	More than 50,000 hours
<b>Luminous Flux</b>	235lm~255lm
<b>Color Temperature</b>	3500~7500K
<b>Beam Angle</b>	120°
<b>Battery</b>	6.4V/4.5AH GEL/Lithium battery
<b>Discharging Time</b>	23h(100% Power)
<b>Charging Time</b>	8h(AM 1.5, 1000W/m <sup>2</sup> ,25°C)
<b>Material</b>	6063 Aluminum, PC
<b>Working Temperature</b>	-25°C~60°C
<b>Protection Grade</b>	Ip65
<b>Product Size</b>	Φ208*800*Φ89*Φ182mm
<b>Package Size</b>	850*270*270mm
<b>Number of Packing</b>	1 set/carton
<b>Net Weight</b>	3.0KG
<b>Gross Weight</b>	4.2KG

1.8W  
Watts



### PARAMETERS

#### ITEM NO

BLS-7420

<b>Solar Panel</b>	9V/3.5W Monocrystalline Solar Panel. Grade A
<b>LED</b>	1.8W, 10*18mil Epistar Chip
<b>Lifespan of LED</b>	More than 50,000 hours
<b>Luminous Flux</b>	385lm~435lm
<b>Color Temperature</b>	3500~7500K
<b>Beam Angle</b>	120°
<b>Battery</b>	6.4V/4.5AH GEL/Lithium battery
<b>Discharging Time</b>	23h(100% Power)
<b>Charging Time</b>	8h(AM 1.5, 1000W/m <sup>2</sup> ,25°C)
<b>Material</b>	6063 Aluminum, PC
<b>Working Temperature</b>	-25°C~60°C
<b>Protection Grade</b>	Ip65
<b>Product Size</b>	Φ288*800*Φ191mm
<b>Package Size</b>	850*345*345mm
<b>Number of Packing</b>	1 set/carton
<b>Net Weight</b>	3.4KG
<b>Gross Weight</b>	4.8KG



IP 65



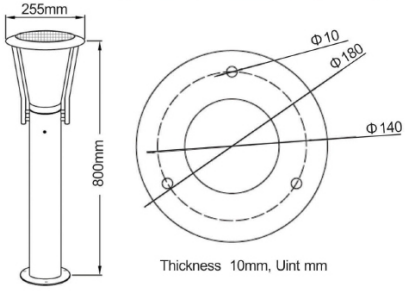
IP 65





**Solar Bollard Light**

**1.8**  
Watts



**PARAMETERS**

**ITEM NO**

**BLS-7421**

<b>Solar Panel</b>	9V/3.5W Monocrystalline Solar Panel. Grade A
<b>LED</b>	1.8W, 10*18mil Epistar Chip
<b>Lifespan of LED</b>	385lm~435lm
<b>Luminous Flux</b>	235lm~255lm
<b>Color Temperature</b>	3500~7500K
<b>Beam Angle</b>	120°
<b>Battery</b>	6.4V/4.5AH GEL/Lithium battery
<b>Discharging Time</b>	23h(100% Power)
<b>Charging Time</b>	8h(AM 1.5, 1000W/m <sup>2</sup> ,25°C)
<b>Material</b>	6063 Aluminum, PC
<b>Working Temperature</b>	-25°C~60°C
<b>Protection Grade</b>	Ip65
<b>Product Size</b>	Φ255*800*Φ180mm
<b>Package Size</b>	840*310*310mm
<b>Number of Packing</b>	1 set/carton
<b>Net Weight</b>	2.4KG
<b>Gross Weight</b>	3.5KG

